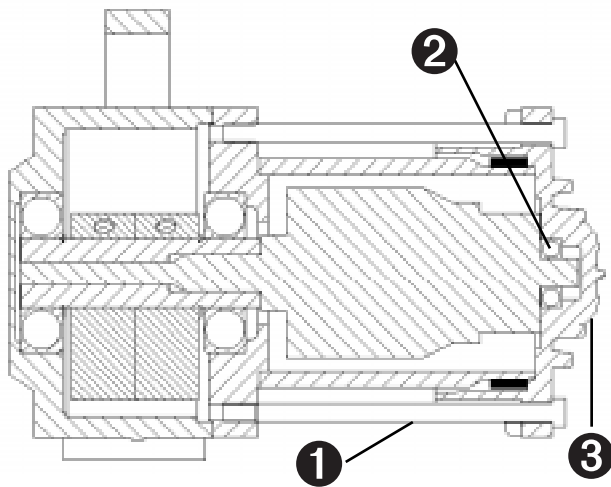


BEEN THERE . . . DONE THAT!!

When it comes to dump body vibrators, nothing compares to

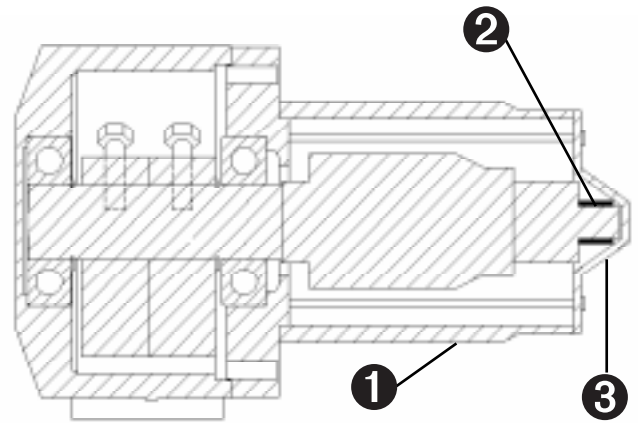
BIG BERTHA®

BIG BERTHA® VIBRATOR



- 1. Heavy Duty 7/16" bolts will not break**
- 2. Ball bearing in the end cap for longer life**
- 3. Heavy Duty dust cover with extra strong gaskets to keep road dust and water out**
- 4. Circuit breaker included in provided wiring kit**

COMPETITIVE VIBRATOR



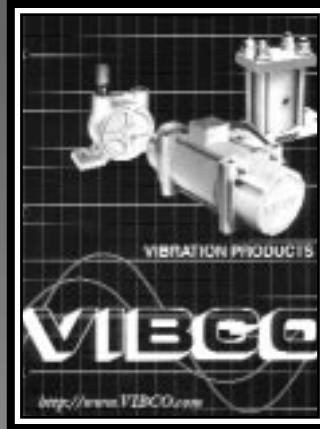
- 1. 1/4" long screws that easily break**
(VIBCO has been there . . . we know from past experience)
- 2. Bronze bushing which wears out prematurely**
(VIBCO has been there . . . we know from past experience)
- 3. Sheet metal cover which does NOT keep out road dust or water**
(VIBCO has been there . . . we know from past experience)
- 4. No circuit breaker can allow for motor burn-out**
(VIBCO has been there . . . we know from past experience)

Go with the "SILENT" Vibrator Guys – We've BEEN THERE . . . DONE THAT since 1962. Having seen it all . . . we've already taken the corrective steps to provide you with a higher quality, longer lasting, dump body vibrator at a reasonable price.

Let us send you free copies of our catalogs
and discover all the VIBCO products designed
to help you work smart.

**HANDBOOK &
EQUIPMENT
GUIDE
EXTERNAL
CONCRETE
VIBRATION**

- How-To-Booklet
- 71 Application Photos
- Selection & Locating Guide
- Catalog #8401



**GENERAL
CATALOG**

- Pneumatic Vibrators
- Electric Vibrators
- Hydraulic Vibrators
- Catalog #9001



**12 VOLT DC
VIBRATORS**

- Dump body vibrators
- Salt & sand spreaders, etc.
- 20 to 3500 lbs. force
- Catalog #9112



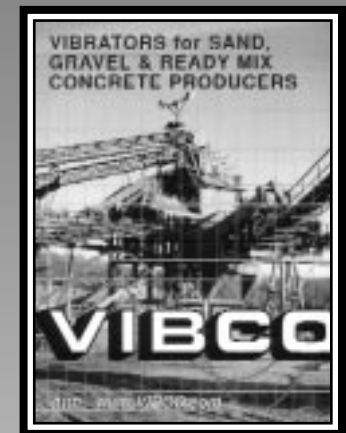
**PLATE
COMPACTORS &
ROLLERS**

- 12" to 24" plates
- Reversible and single directional plates
- Rollers 12" and 36" sizes available
- Catalog #9808



**INTERNAL
CONCRETE
VIBRATORS**

- Electric 1-3/8" to 2-1/2" Head Size
- Pneumatic 1-3/8" to 3"
- Interchangeable head and shaft
- Catalog #9123



**SAND & GRAVEL
VIBRATORS**

- 60 Application Photos
- Selection & Sizing Guide
- Pneumatic Electric & Hydraulic
- Catalog #9803

We're The ^{SILENT} Vibrator Guys. **VIBCO, INC.**



75 Stilson Road, P.O. Box 8
Wyoming, RI 02898
E-Mail: vibrators@vibco.com
Phone: (401) 539-2392 / (800) 633-0032
FAX: (401) 539-2584
<http://www.VIBCO.com>

West Coast:
Phoenix, Arizona 85254
Phone: (480) 596-1809
(800) 633-0032
FAX: (480) 596-1614

Canada:
2215 Dunwin Drive
Mississauga, Ont.L5L 1X1
Phone: (905) 828-4191
(800) 465-9709
FAX: (905) 828-5015

SEE US AT www.VIBCO.com